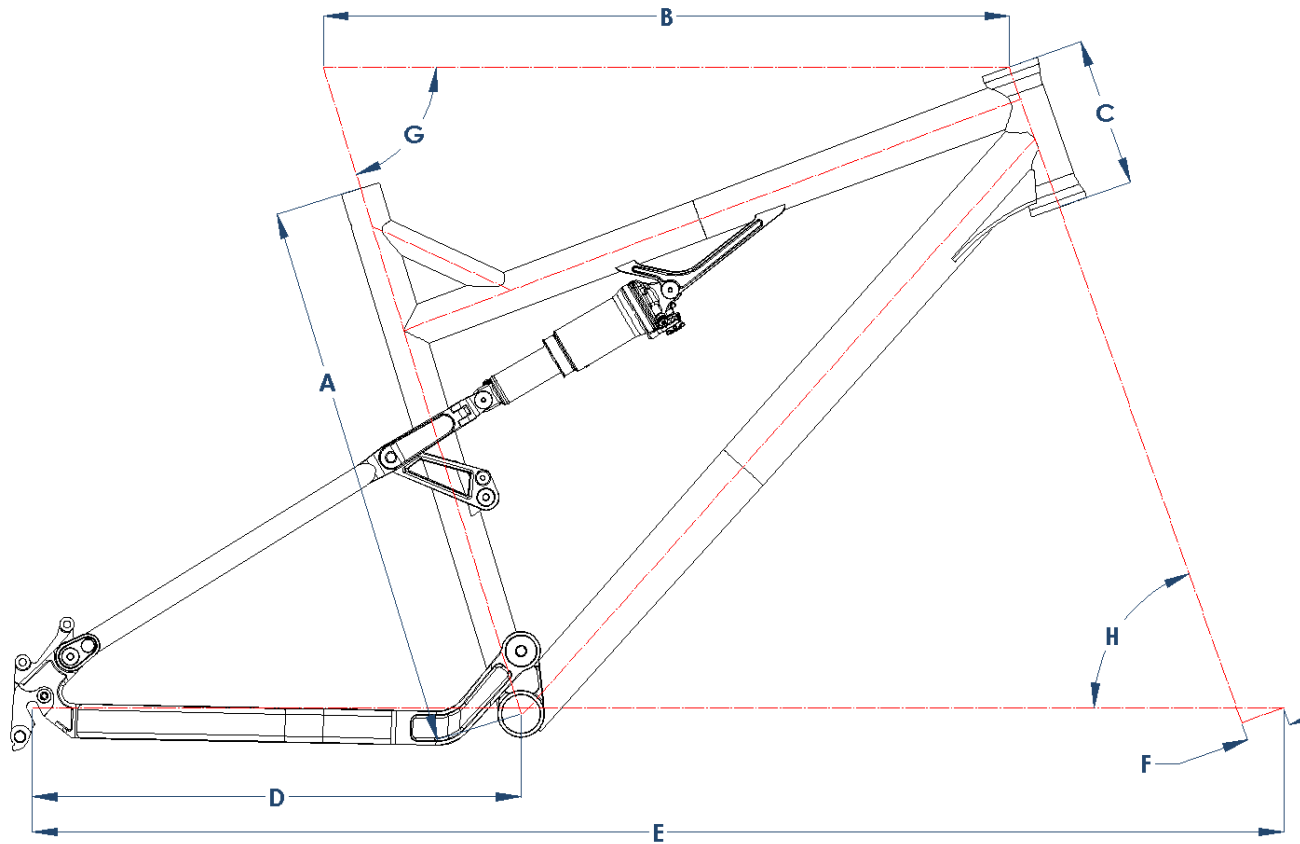


F5 GEOMETRY



	DESCRIPTION	SML-15"	MED-17"	LRG-19"	XLG-21"
A	Seat Tube	390	440	480	520
B	Effective Top Tube	560	585	600	620
C	Head Tube	105	115	135	165
D	Chain Stay	433	433	433	433
E	Wheel Base	1078	1098	1114	1136
F	Fork Offset	39	39	39	39
G	Seat Angle	73.0°	73.0°	73.0°	73.0°
H	Head Angle	69.0°	69.5°	69.5°	69.5°